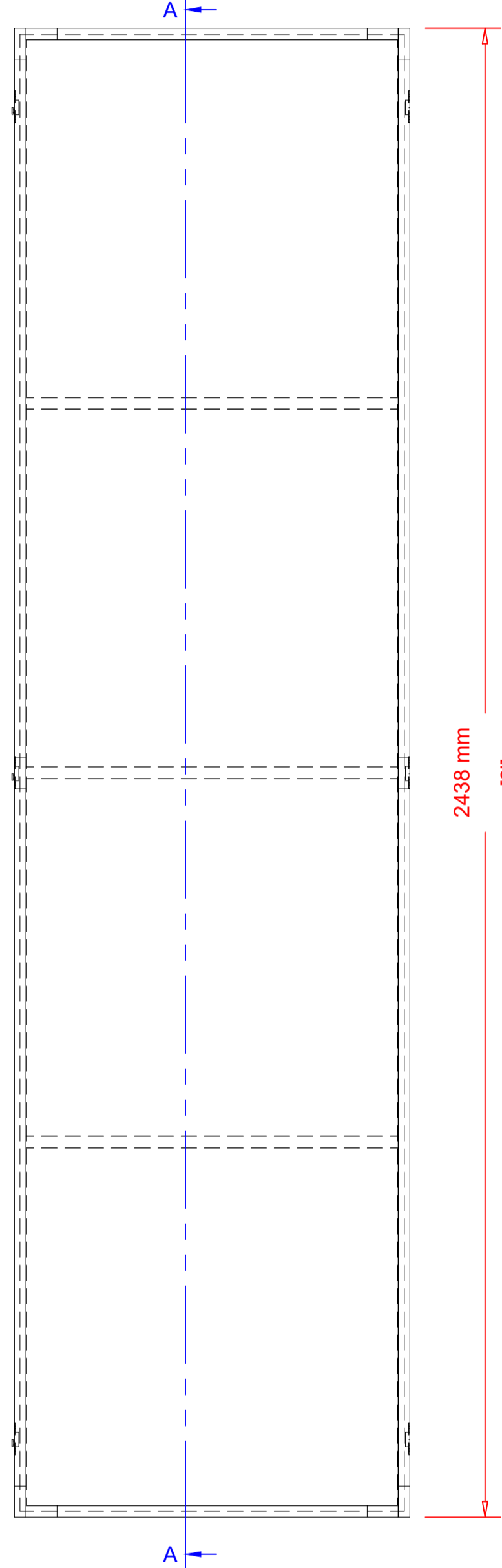
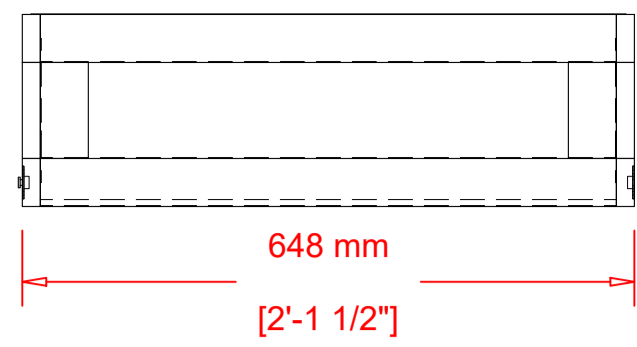


POLYESTER DACRON

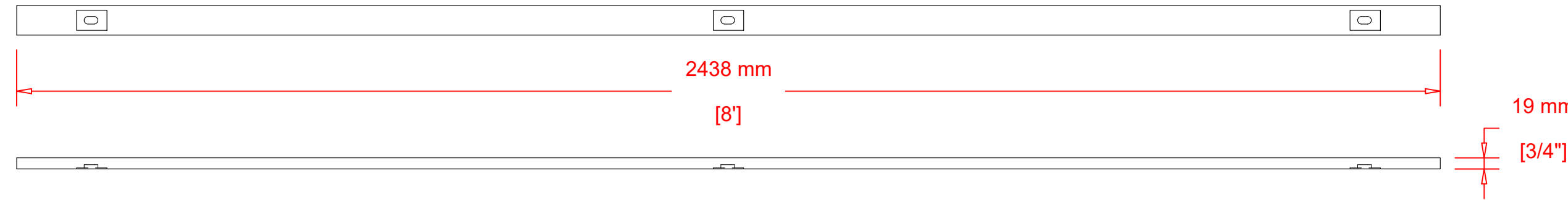
A-A (1:8)



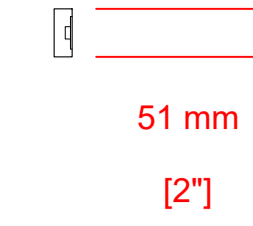
196 mm [7 11/16\"]

6 mm [1/4\"]

OWENS CORNING "PINK"

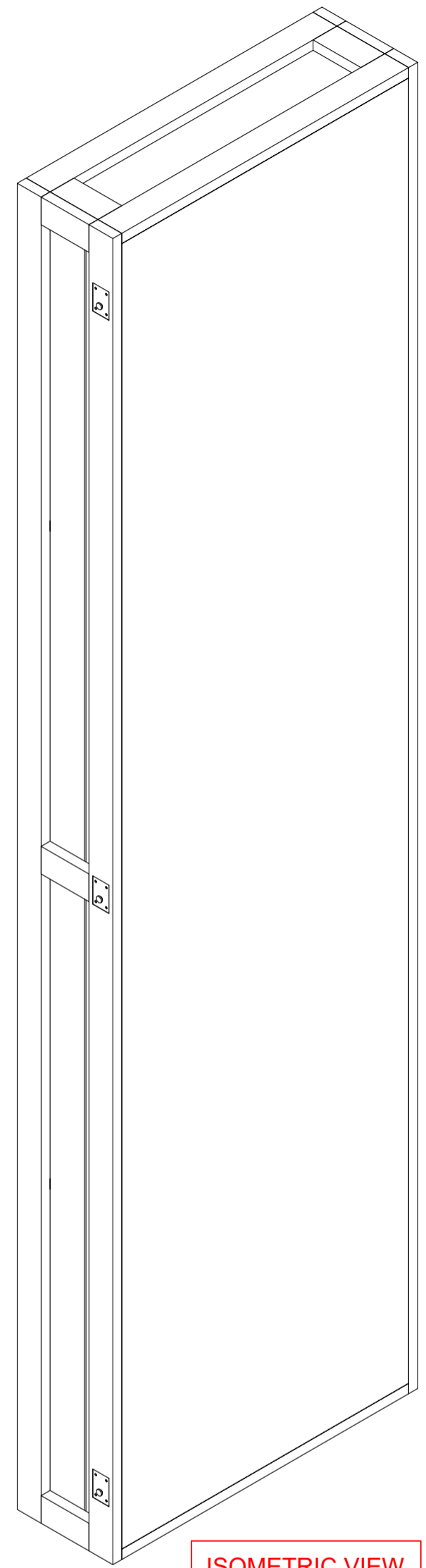
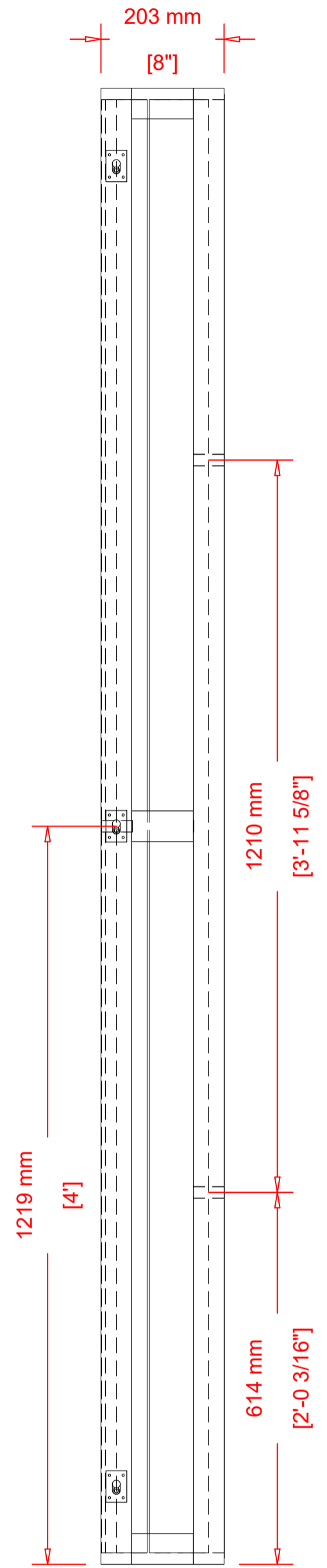


19 mm [3/4\"]

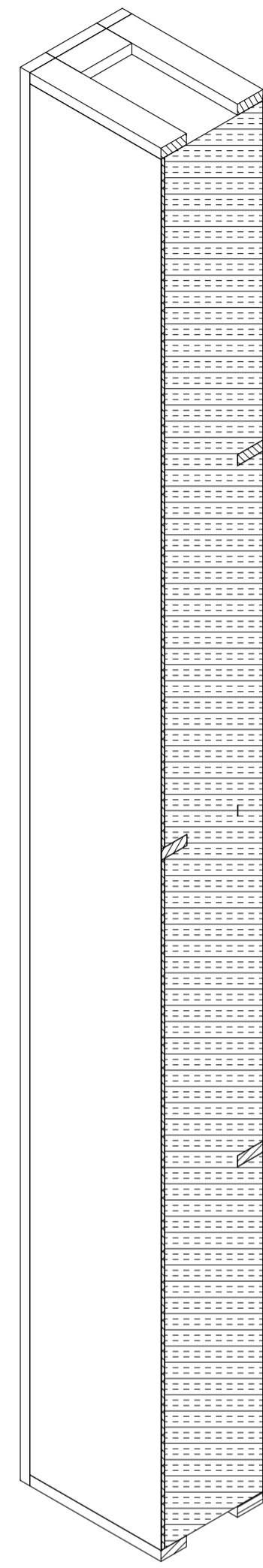


SIDES (4)

SEE: Side-Panel Clamps and Doweling.pdf



ISOMETRIC VIEW



ISOMETRIC CUT-AWAY VIEW

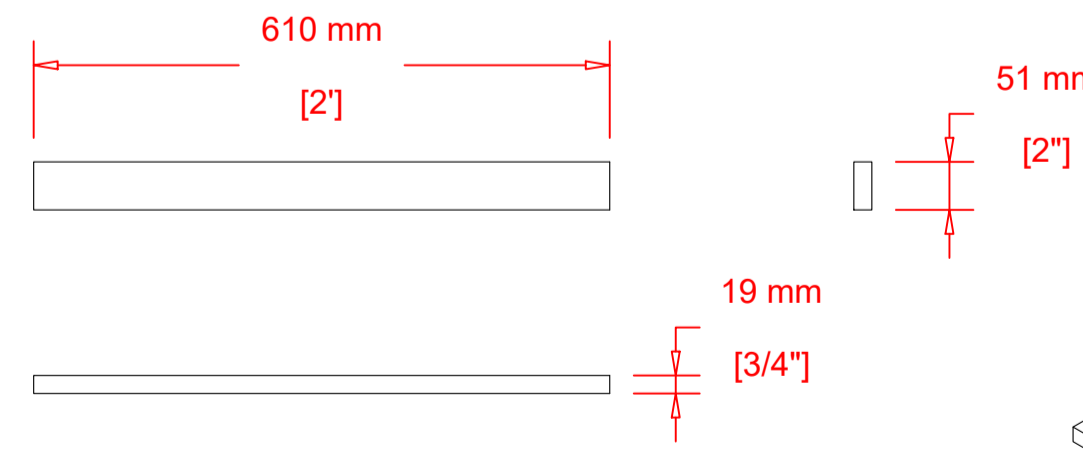
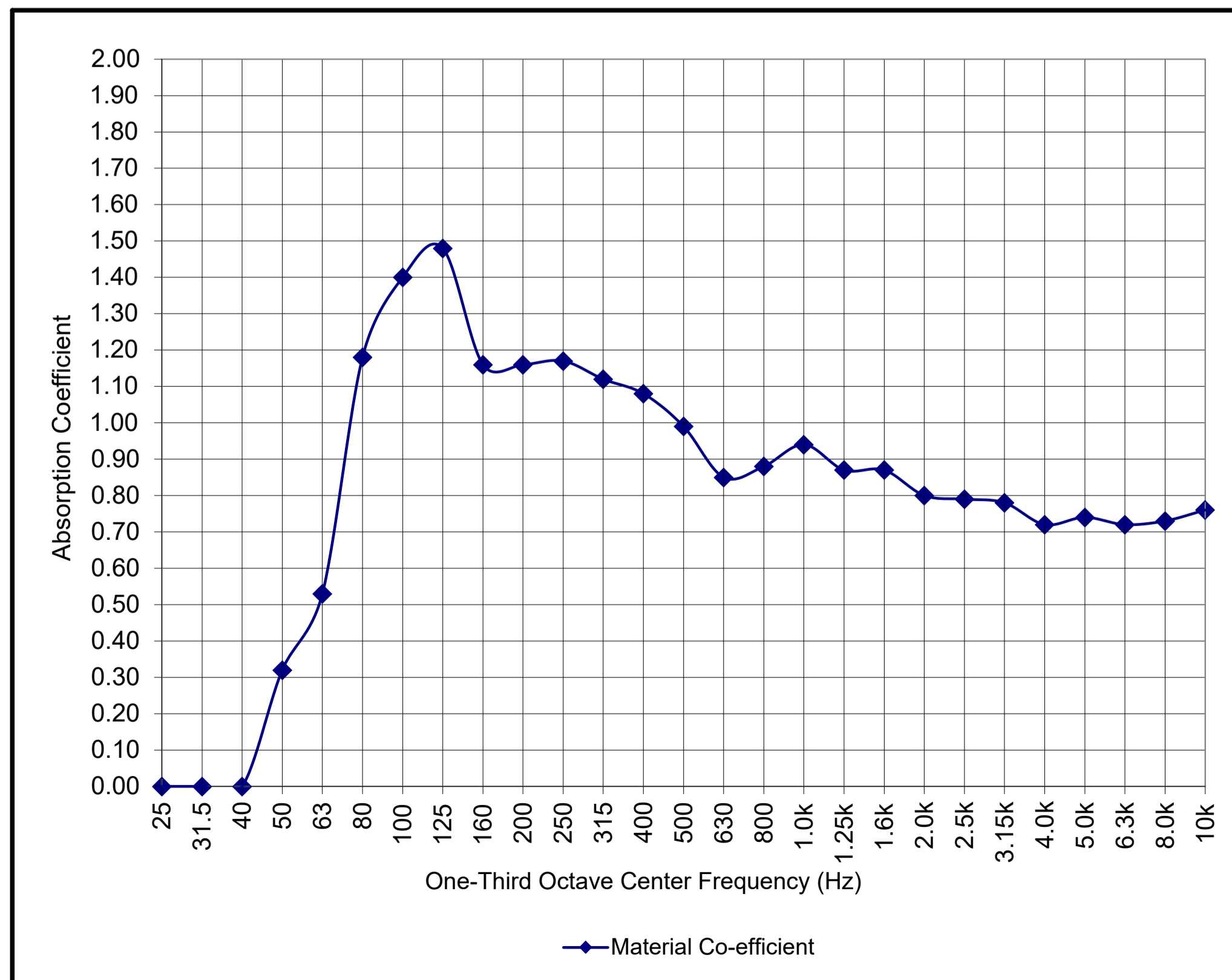
NWAA Labs, Inc.

90 Tower Blvd,
Elma, WA 98541 (253)-973-1018

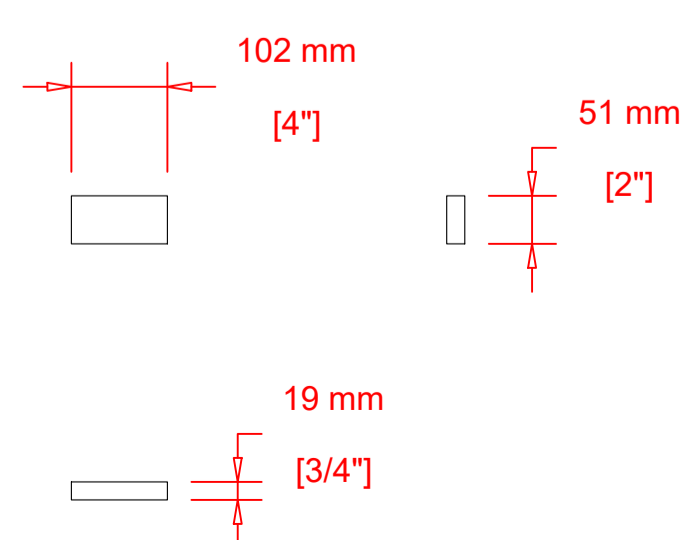
Test #	NWAB230508	02
Test Date:	2023-05-08	
Mounting per ASTM E795-00:	A Mount	
Area Tested: M ²	11.15	
Room Condition	Empty	Full
Temperature: °C	21	21
Barometer: pa	99500	99600
Humidity: %	63	62

NRC	1.00
SAA	0.96

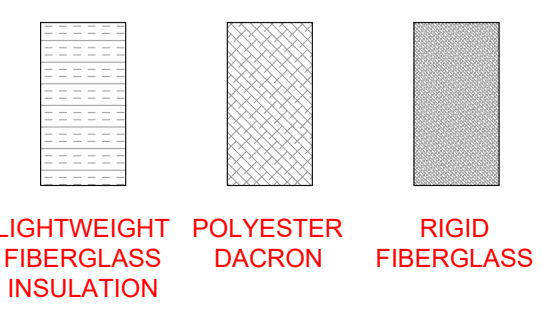
10 by 12, OC Pink R-19, 8 inch, .66 lb per cu ft



TOP, BOTTOM, & BRACES (7)



SIDE & CORNER BLOCKING (10)



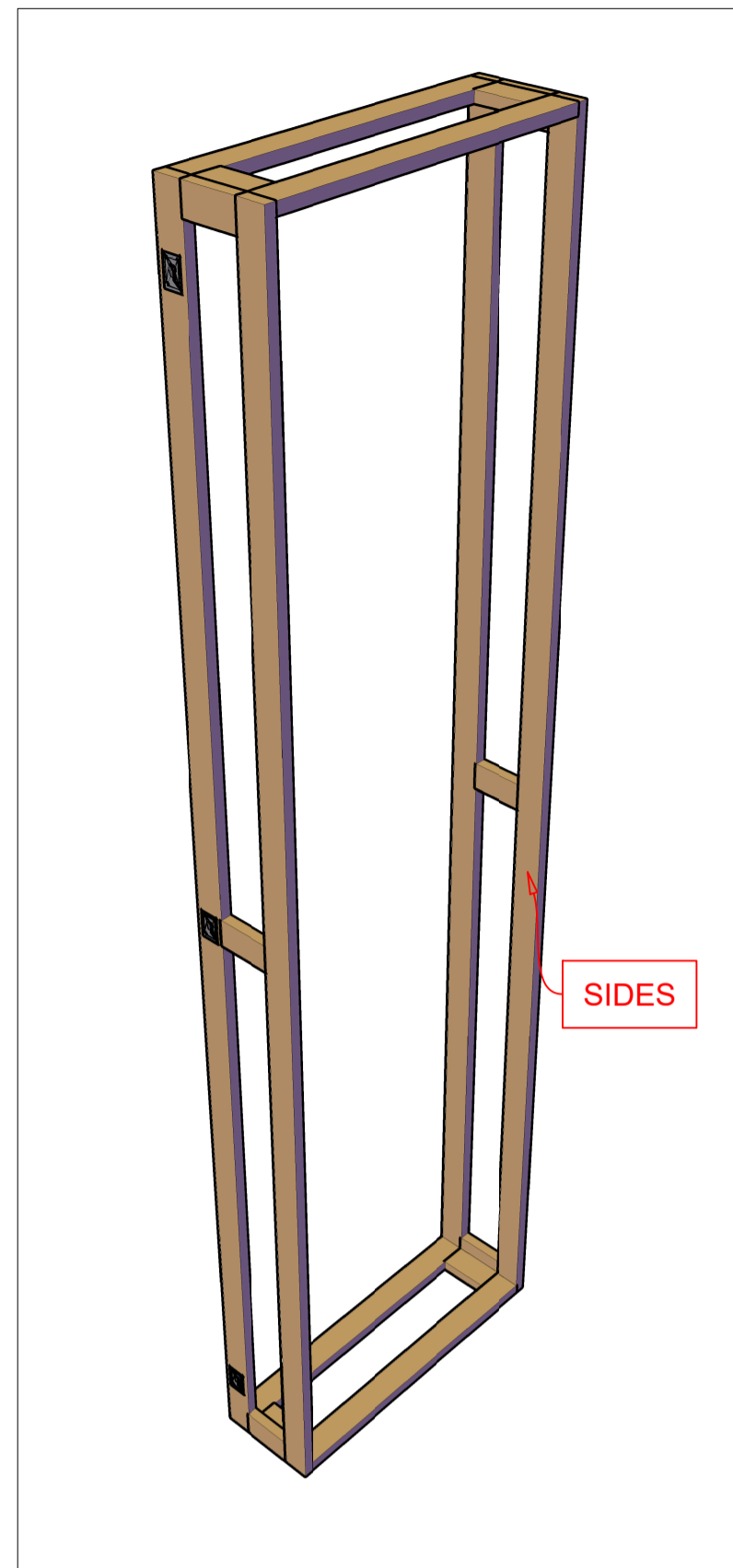
Recording Studio, Performance Hall, & Architectural Acoustics Consultants

BRANDT JH CONSULTING

THIS DRAWING IS PROPERTY OF JH CONSULTING... AND AS AN INSTRUMENT OF SERVICE, MAY NOT BE ALTERED, REPRODUCED, COPIED OR USED FOR CONSTRUCTION WITHOUT THE WRITTEN PERMISSION OF JH BRANDT.

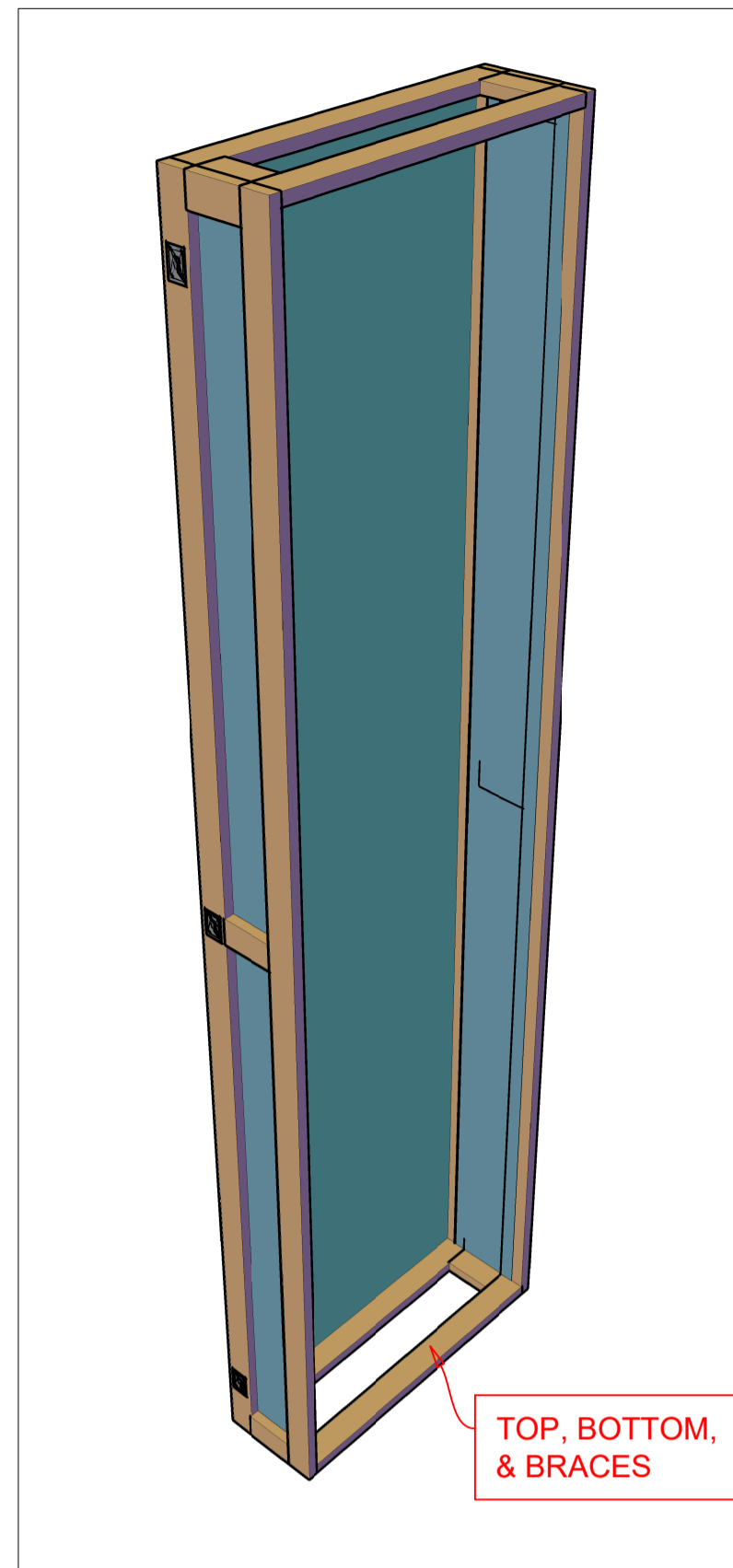
Draftsman: John H. Brandt	Date: 05/25/2020
Drafter:	Date:
Revision/Issue:	Date:
Revision/Issue:	Date:

PARTS LAYOUT
Job No: 10864 Project Date: 05/25/2020



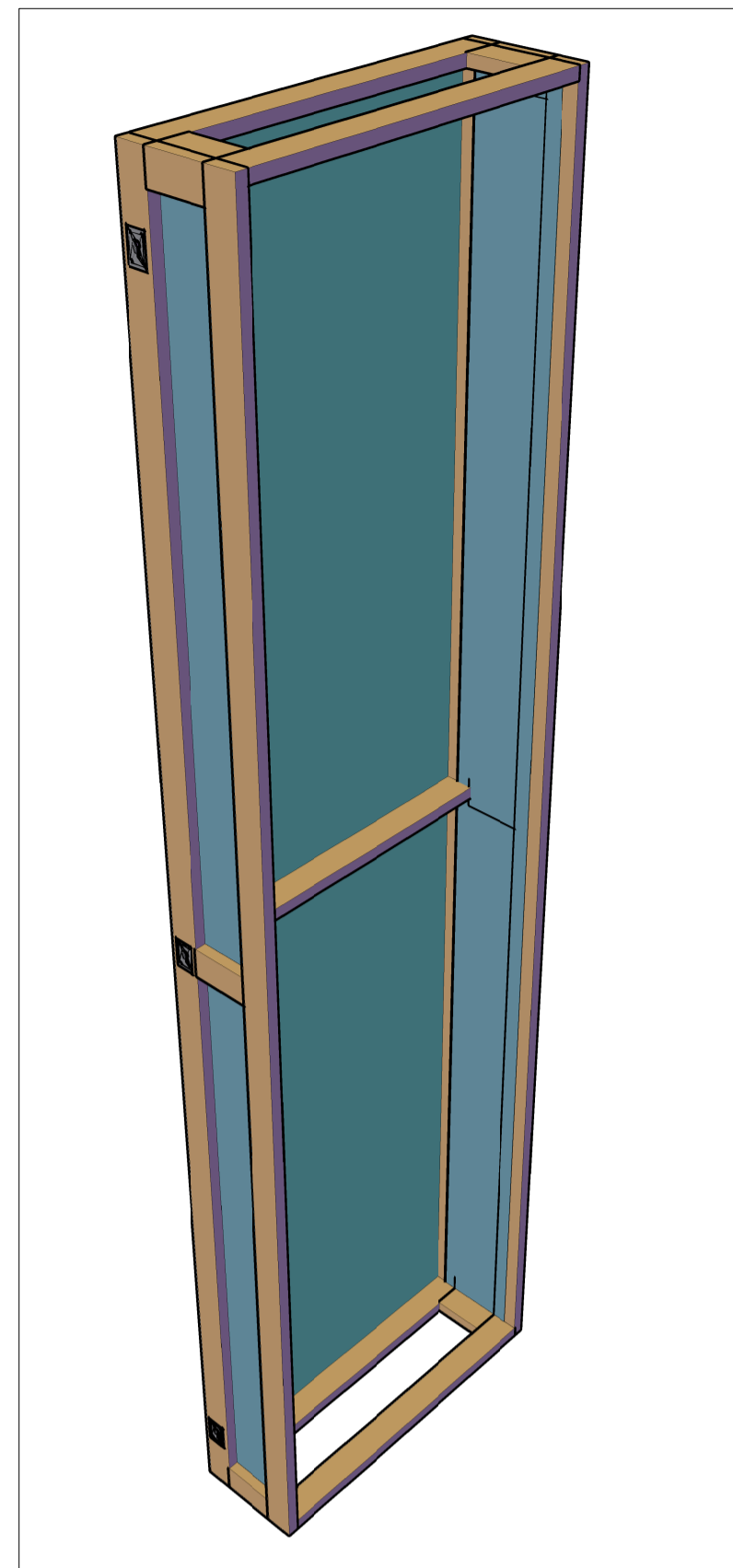
SIDES

1. ASSEMBLE TOP, BOTTOM, AND SIDES USING DOWELS AND GLUE. MAKE SURE THE UNIT IS 'SQUARE' (90 DEGREE CORNERS).

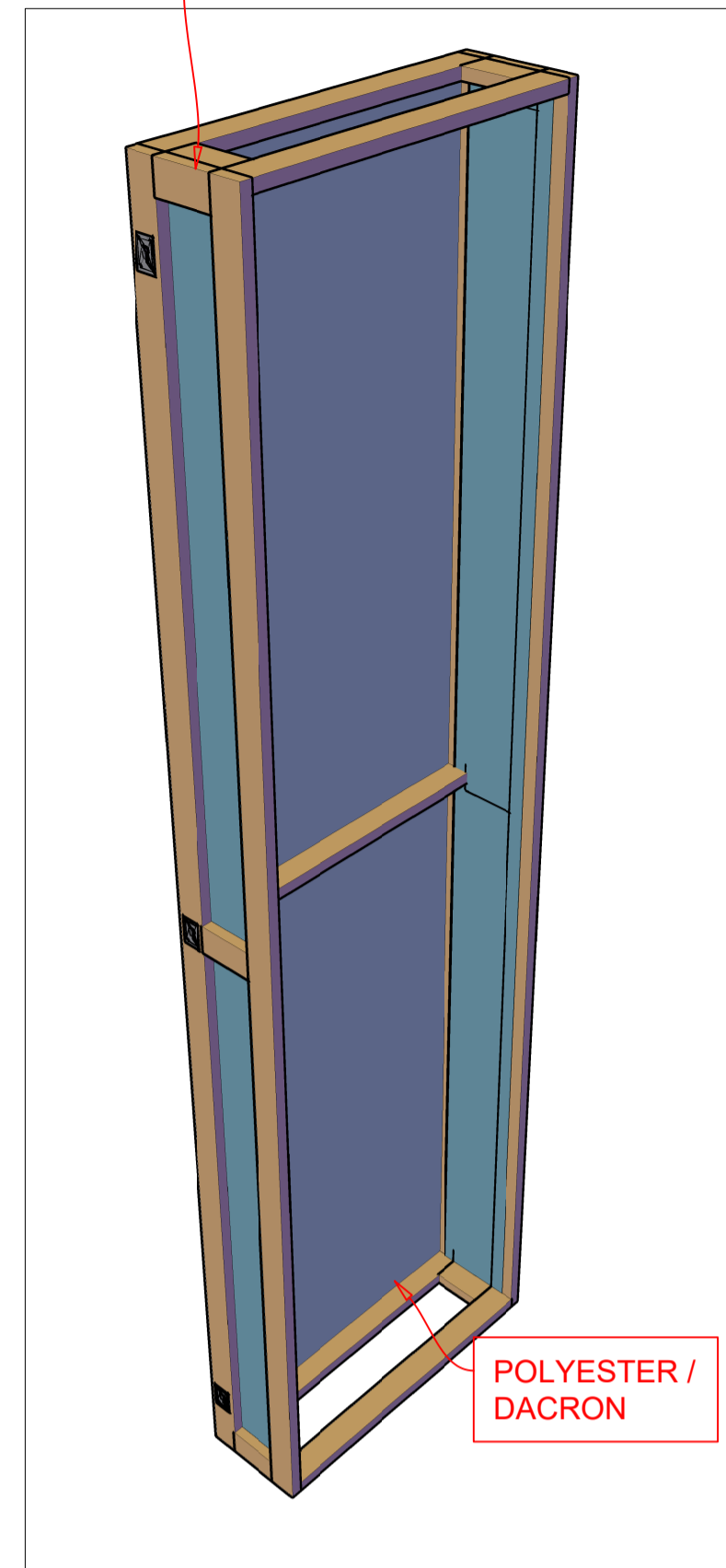


TOP, BOTTOM, & BRACES

2. ATTACH FABRIC TO THE INSIDE OF THE FRAME USING UPHOLSTERERS TAPE OR THIN STRIPS OF PLYWOOD.



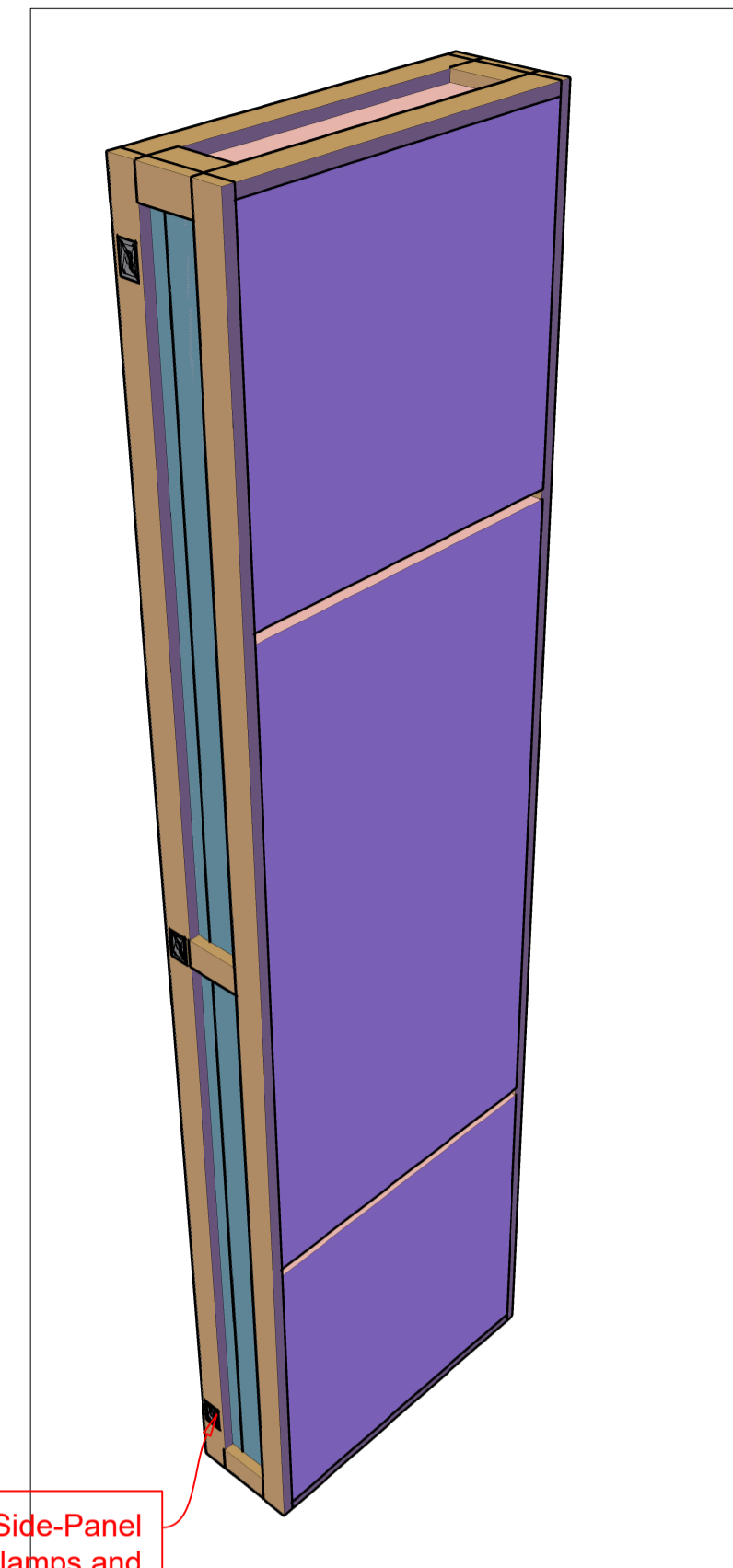
3. ADD CENTER FRONT BRACE



SIDE & CORNER BLOCKING

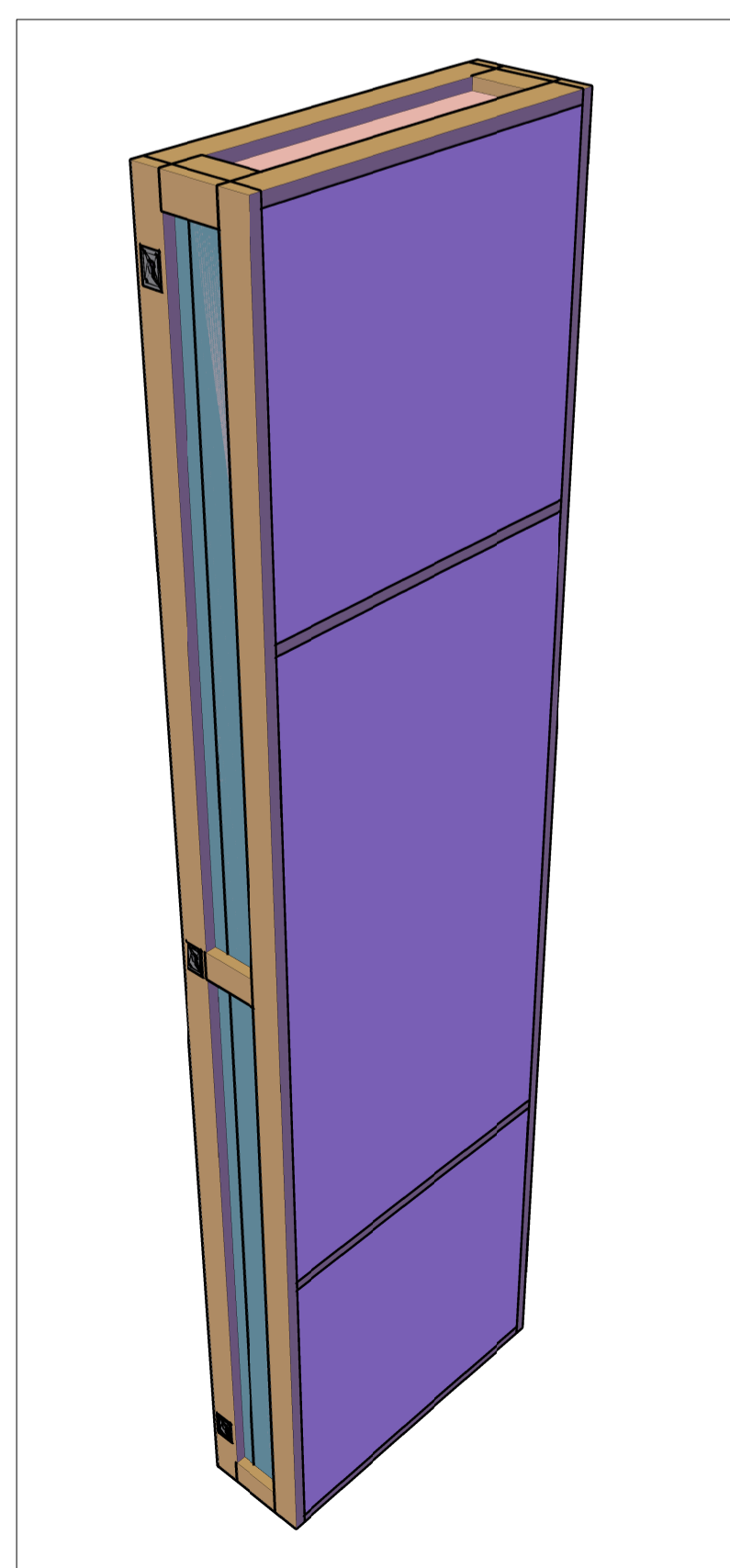
POLYESTER / DACRON

4. ADD 1/4" (6 mm) DACRON / POLYESTER BATTING AGAINST FRONT FABRIC

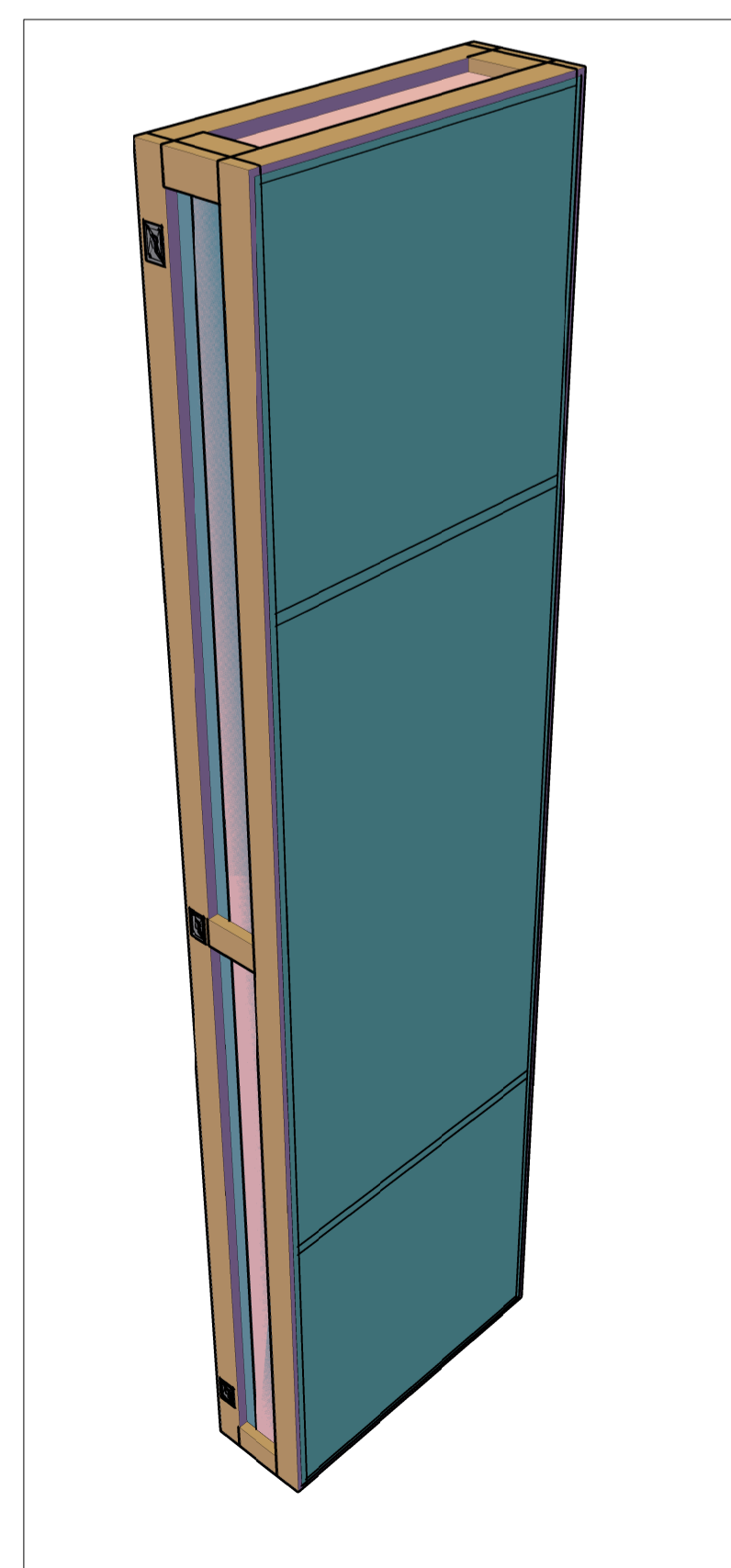


SEE: Side-Panel Clamps and Doweling.pdf

5. INSTALL OWENS CORNING "PINK"



7. ADD REAR BRACING



8. COVER THE BACK OF THE UNIT WITH INEXPENSIVE TICKING FABRIC TO KEEP THE COMPONENTS STABLE DURING SHIPPING AND INSTALLATION.

ALL TREATMENT IS ASSEMBLED USING DOWEL AND GLUE METHOD

THIS DRAWING IS PROPERTY OF JH BRANDT CONSULTANTS AND AS AN INSTRUMENT OF SERVICE, MAY NOT BE ALTERED, REPRODUCED, COPIED OR USED FOR CONSTRUCTION WITHOUT THE WRITTEN PERMISSION OF JH BRANDT. © 2020 all rights reserved.

Drafter: John H. Brandt	Date: 05/25/2020
Drafter:	Date:
Revision/Issue:	Date:
Revision/Issue:	Date:

This drawing is to be printed on standard A1 paper (564 mm X 841 mm) if not, DO NOT SCALE. Scale Metric: 1:8

ASSEMBLY

Job No: 10864 Project Date: 05/25/2020

Sheet: